

SN74LV4T125 Single Power Supply Quadruple Buffer Translator GATE With 3-State Output CMOS Logic Level Shifter

1 Features

- Single-Supply Voltage Translator at 5.0-V, 3.3-V, 2.5-V, and 1.8-V V_{CC}
- Operating Range of 1.8 V to 5.5 V
- Up Translation
 - 1.2 V⁽¹⁾ to 1.8 V at 1.8-V V_{CC}
 - 1.5 V⁽¹⁾ to 2.5 V at 2.5-V V_{CC}
 - 1.8 V⁽¹⁾ to 3.3 V at 3.3-V V_{CC}
 - 3.3 V to 5.0 V at 5.0-V V_{CC}
- Down Translation
 - 3.3 V to 1.8 V at 1.8-V V_{CC}
 - 3.3 V to 2.5 V at 2.5-V V_{CC}
 - 5.0 V to 3.3 V at 3.3-V V_{CC}
- Logic Output is Referenced to V_{CC}
- Characterized up to 50 MHz at 3.3-V V_{CC}
- 5.5 V Tolerance on Input Pins
- –40°C to 125°C Operating Temperature Range
- Pb-Free Packages Available: SC-70 (RGY)
 - 3.5 × 3.5 × 1 mm
- Latch-Up Performance Exceeds 250 mA Per JESD 17
- ESD Performance Tested Per JESD 22
 - 2000-V Human-Body Model (A114-B, Class II)
 - 200-V Machine Model (A115-A)
 - 1000-V Charged-Device Model (C101)
- Supports Standard Logic Pinouts
- CMOS Output B Compatible with AUP125, LVC125

⁽¹⁾ Refer the V_{IH}/V_{IL} and output drive for lower V_{CC} condition.

2 Applications

- Tablet
- Smartphone
- Personal Computer
- Industrial Automotive

3 Description

SN74LV4T125 is a low-voltage CMOS buffer gate that operates at a wider voltage range for portable, telecom, industrial, and automotive applications. The output level is referenced to the supply voltage and is able to support 1.8-V, 2.5-V, 3.3-V, and 5-V CMOS levels.

The input is designed with a lower threshold circuit to match 1.8-V input logic at $V_{CC} = 3.3$ V and can be used in 1.8 V to 3.3 V level-up translation. In addition, the 5-V tolerant input pins enable down translation (for example, 3.3 V to 2.5 V output at $V_{CC} = 2.5$ V). The wide V_{CC} range of 1.8 V to 5.5 V allows the generation of desired output levels to connect to controllers or processors.

The SN74LV4T125 device is designed with current-drive capability of 8 mA to reduce line reflections, overshoot, and undershoot caused by high-drive outputs.

Device Information⁽¹⁾

PART NUMBER	PACKAGE	BODY SIZE (NOM)
SN74LV4T125	TSSOP (14)	5.00 mm x 4.40 mm
	VQFN (14)	3.50 mm x 3.50 mm

⁽¹⁾ For all available packages, see the orderable addendum at the end of the data sheet.

4 Simplified Application Diagram

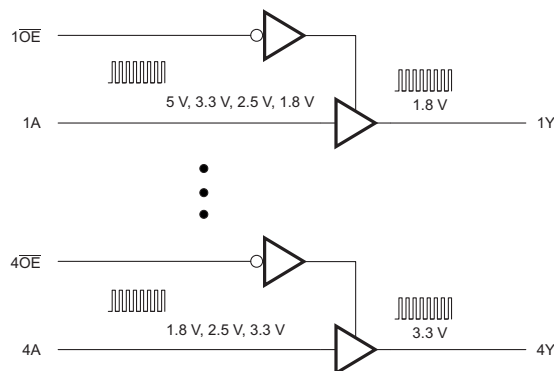


Table of Contents

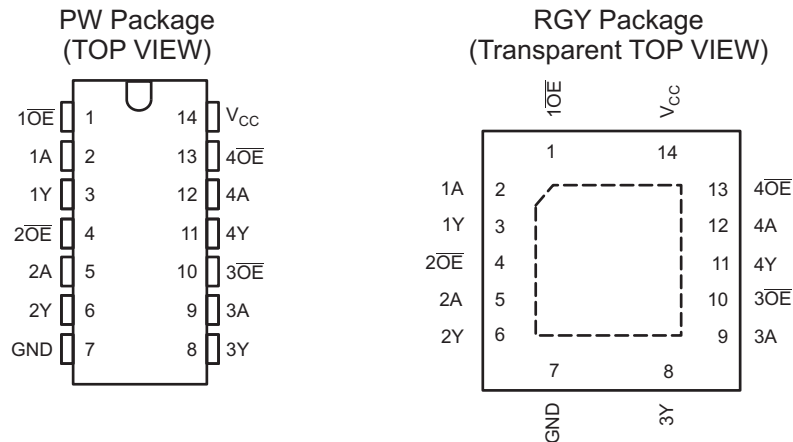
1 Features	1	9.1 Overview	10
2 Applications	1	9.2 Functional Block Diagram	10
3 Description	1	9.3 Feature Description	11
4 Simplified Application Diagram	1	9.4 Device Functional Modes	11
5 Revision History	2	10 Applications and Implementation	12
6 Pin Configuration and Functions	3	10.1 Application Information	12
7 Specifications	4	10.2 Typical Application	12
7.1 Absolute Maximum Ratings	4	11 Power Supply Recommendations	13
7.2 Handling Ratings	4	12 Layout	14
7.3 Recommended Operating Conditions	5	12.1 Layout Guidelines	14
7.4 Thermal Information	5	12.2 Layout Example	14
7.5 Electrical Characteristics	6	13 Device and Documentation Support	15
7.6 Timing Requirements	7	13.1 Documentation Support	15
7.7 Noise Characteristics	8	13.2 Trademarks	15
7.8 Operating Characteristics	8	13.3 Electrostatic Discharge Caution	15
7.9 Typical Characteristics	8	13.4 Glossary	15
8 Parameter Measurement Information	9	14 Mechanical, Packaging, and Orderable Information	15
9 Detailed Description	10		

5 Revision History

Changes from Revision A (March 2014) to Revision B	Page
• Updated Features.	1
• Updated Simplified Application Diagram	1
• Updated Pin Functions table.	3
• Updated Detailed Design Procedure section.	13

Changes from Original (February 2014) to Revision A	Page
• Updated 1 page preview document to full version.	1

6 Pin Configuration and Functions



Pin Functions

PIN		I/O	DESCRIPTION
NO.	NAME		
1	10E	I	Enable 1
2	1A	I	Input 1
3	1Y	O	Output 1
4	2OE	I	Enable 2
5	2A	I	Input 2
6	2Y	O	Output 2
7	GND	—	Ground Pin
8	3Y	O	Output 3
9	3A	I	Input 3
10	3OE	I	Enable 3
11	4Y	O	Output 4
12	4A	I	Input 4
13	4OE	I	Enable 4
14	V _{CC}	—	Power Pin

7 Specifications

7.1 Absolute Maximum Ratings

over operating free-air temperature range (unless otherwise noted)⁽¹⁾

		MIN	MAX	UNIT	
V_{CC}	Supply voltage range	-0.5	7.0	V	
V_I	Input voltage range ⁽²⁾	-0.5	7.0	V	
V_O	Voltage range applied to any output in the high-impedance or power-off state ⁽²⁾	-0.5	4.6	V	
	Voltage range applied to any output in the high or low state ⁽²⁾	-0.5	$V_{CC} + 0.5$		
I_{IK}	Input clamp current	$V_I < 0$		-20	mA
I_{OK}	Output clamp current	$V_O < 0$ or $V_O > V_{CC}$		±50	mA
I_O	Continuous output current			±35	mA
	Continuous current through V_{CC} or GND			±70	mA

- (1) Stresses beyond those listed under *Absolute Maximum Ratings* may cause permanent damage to the device. These are stress ratings only, and functional operation of the device at these or any other conditions beyond those indicated under *Recommended Operating Conditions* is not implied. Exposure to absolute-maximum-rated conditions for extended periods may affect device reliability.
- (2) The input negative-voltage and output voltage ratings may be exceeded if the input and output current ratings are observed.

7.2 Handling Ratings

		MIN	MAX	UNIT		
T_{stg}	Storage temperature range	-65	150	°C		
$V_{(ESD)}$	Electrostatic discharge	Human body model (HBM), per ANSI/ESDA/JEDEC JS-001, all pins ⁽¹⁾		0	2	kV
		Charged device model (CDM), per JEDEC specification JESD22-C101, all pins ⁽²⁾		0	1	

- (1) JEDEC document JEP155 states that 500-V HBM allows safe manufacturing with a standard ESD control process.
- (2) JEDEC document JEP157 states that 250-V CDM allows safe manufacturing with a standard ESD control process.

7.3 Recommended Operating Conditions

over operating free-air temperature range (unless otherwise noted)⁽¹⁾

		MIN	MAX	UNIT	
V _{CC}	Supply voltage	1.6	5.5	V	
V _I	Input voltage	0	5.5	V	
V _O	Output voltage	High or Low State	0	V _{CC}	V
		H-Z	0	V _{CC}	V
I _{OH}	High-level output current	V _{CC} = 1.8 V		-3	mA
		V _{CC} = 2.5 V		-5	
		V _{CC} = 3.3 V		-8	
		V _{CC} = 5.0 V		-16	
I _{OL}	Low-level output current	V _{CC} = 1.8 V		3	mA
		V _{CC} = 2.5 V		5	
		V _{CC} = 3.3 V		8	
		V _{CC} = 5.0 V		16	
Δt/Δv	Input transition rise or fall rate	V _{CC} = 1.6 V to 2.0 V		20	ns/V
		V _{CC} = 2.3 V to 2.7 V		20	
		V _{CC} = 3 V or 3.6 V		20	
		V _{CC} = 4.5 V to 5.0 V		20	
T _A	Operating free-air temperature	-40	125	°C	

(1) All unused inputs of the device must be held at V_{CC} or GND to ensure proper device operation. Refer to the TI application report, *Implications of Slow or Floating CMOS Inputs*, literature number [SCBA004](#).

7.4 Thermal Information

THERMAL METRIC ⁽¹⁾	SN74LV4T125		UNIT	
	PW	RGY		
	14 PINS	14 PINS		
R _{θJA}	Junction-to-ambient thermal resistance	126.9	52.9	°C/W
R _{θJctop}	Junction-to-case (top) thermal resistance	54.2	67.8	
R _{θJB}	Junction-to-board thermal resistance	68.6	29.0	
ψ _{JT}	Junction-to-top characterization parameter	7.5	2.6	
ψ _{JB}	Junction-to-board characterization parameter	68.0	29.1	
R _{θJcbot}	Junction-to-case (bottom) thermal resistance	—	9.3	

(1) For more information about traditional and new thermal metrics, see the *IC Package Thermal Metrics* application report ([SPRA953](#)).

7.5 Electrical Characteristics

over recommended operating free-air temperature range (unless otherwise noted)

PARAMETER	TEST CONDITIONS	V _{CC}	T _A = 25°C			T _A = –40°C to 125°C		UNIT
			MIN	TYP	MAX	MIN	MAX	
V _{IH} High-level input voltage		V _{CC} = 1.65 V to 1.9 V	0.95			1		V
		V _{CC} = 2.3 V to 2.7 V	1.1			1.2		
		V _{CC} = 3 V to 3.6 V	1.3			1.35		
		V _{CC} = 4.5 V to 5.0 V	2			2		
V _{IL} Low-level input voltage		V _{CC} = 1.65 V to 1.9 V				0.55	0.5	V
		V _{CC} = 2.3 V to 2.7 V				0.7	0.6	
		V _{CC} = 3 V to 3.6 V				0.85	0.75	
		V _{CC} = 4.5 V to 5.5 V				0.9	0.85	
V _{OH}	I _{OH} = –50 μA	V _{CC} = 1.65 V to 5.5 V	V _{CC} – 0.1			V _{CC} – 0.1		V
	I _{OH} = –2 mA	V _{CC} = 1.65 V	1.4			1.35		V
	I _{OH} = –3 mA	V _{CC} = 2.3 V	2.05			2.0		V
	I _{OH} = –5 mA	V _{CC} = 3.0 V	2.7			2.6		V
	I _{OH} = –8 mA		2.6			2.5		
	I _{OH} = –8 mA	V _{CC} = 4.5 V	3.7			3.6		V
	I _{OH} = –16 mA		3.8			3.7		
	I _{OH} = –16 mA	V _{CC} = 5.0 V	4.4			4.3		V
V _{OL}	I _{OL} = 50 μA	V _{CC} = 1.65 V to 5.5 V				0.1	0.1	V
	I _{OH} = 2 mA	V _{CC} = 1.65 V				0.1	0.1	V
		V _{CC} = 1.8 V				0.2	0.3	
	I _{OH} = 3 mA	V _{CC} = 2.3 V				0.2	0.3	V
		V _{CC} = 2.5 V				0.25	0.3	
	I _{OH} = 5 mA	V _{CC} = 3.0 V				0.35	0.4	V
	I _{OH} = 8 mA					0.4	0.45	
	I _{OH} = 8 mA	V _{CC} = 3.3 V				0.45	0.5	V
	I _{OH} = 8 mA	V _{CC} = 4.5 V				0.50	0.55	V
I _{OH} = 16 mA				0.55	0.55			
I _{OH} = 16 mA	V _{CC} = 5.0 V				0.55	0.55	V	
I _I A input	V _I = 0 V or V _{CC}	V _{CC} = 0 V, 1.8 V, 2.5 V, 3.3 V, 5.5 V				±0.1	±1	μA
I _{CC}	V _I = 0 V or V _{CC} , I _O = 0; open on loading	V _{CC} = 5.0 V				2	20	μA
		V _{CC} = 3.3 V				2	20	
		V _{CC} = 2.5 V				2	20	
		V _{CC} = 1.8 V				2	20	
ΔI _{CC}	One input at 0.3 V or 3.4 V Other inputs at 0 or V _{CC} , I _O = 0	V _{CC} = 5.5 V				1.35	1.5	μA
	One input at 0.3 V or 1.1 V Other inputs at 0 or V _{CC} , I _O = 0	V _{CC} = 1.8 V						
I _{OZ}	V _O = V _{CC} or GND	V _{CC} = 5.5 V				±0.25	±2.5	μA
I _{off}	V _O or V _I = 0 to 5.5 V	V _{CC} = 0 V				0.5	5	μA
C _i	V _I = V _{CC} or GND	V _{CC} = 3.3 V	1.6			1.6		pF
C _o	V _O = V _{CC} or GND	V _{CC} = 3.3 V	4.8			4.8		pF

7.6 Timing Requirements

 over operating free-air temperature range (unless otherwise noted) (see [Figure 2](#))

PARAMETER	FROM (INPUT)	TO (OUTPUT)	FREQUENCY (TYP)	V _{CC}	C _L	T _A = 25°C			T _A = -65°C to 125°C			UNIT
						MIN	TYP	MAX	MIN	TYP	MAX	
t _{pd}	Any In	Y	DC to 50 MHz	5.0 V	15 pF	2.8	3.2	3	3.5	ns		
					30 pF	3	3.5	3	4.5			
			DC to 50 MHz	3.3 V	15 pF	4	4.5	5	5.5			
					30 pF	5	5.5	5.5	6.5			
			DC to 50 MHz	2.5 V	15 pF	5.5	6.5	7	7.5			
					30 pF	6.5	7	7.5	8.5			
DC to 30 MHz	1.8 V	15 pF	10	11	11	12						
		30 pF	11	12	12.5	13						
t _{pZH}	\overline{OE}	Y	DC to 50 MHz	5.0 V	15 pF	3.5	4	3.5	4	ns		
					30 pF	3.8	4.2	4	4.5			
			DC to 50 MHz	3.3 V	15 pF	5	5.8	5.8	6.1			
					30 pF	5.5	6	5.7	6.5			
			DC to 50 MHz	2.5 V	15 pF	7.5	8	8.5	9			
					30 pF	8	8.5	9	9.5			
DC to 30 MHz	1.8 V	15 pF	14.5	15	15.5	16.5						
		30 pF	15.5	16	16	17						
t _{pZL}	\overline{OE}	Y	DC to 50 MHz	5.0 V	15 pF	3	3.5	3.5	4	ns		
					30 pF	3.5	4	4	4.5			
			DC to 50 MHz	3.3 V	15 pF	5.3	5.6	6	6.2			
					30 pF	5.8	6.2	7	7.5			
			DC to 50 MHz	2.5 V	15 pF	8	8.5	9	9.5			
					30 pF	9	9.5	10.5	11			
DC to 30 MHz	1.8 V	15 pF	17	17.5	18	18.5						
		30 pF	18	18.5	19	20						
t _{pHZ}	\overline{OE}	Y	DC to 50 MHz	5.0 V	15 pF	3	3.5	3.5	4	ns		
					30 pF	3.5	4	4	4.5			
			DC to 50 MHz	3.3 V	15 pF	3.5	4	4.5	5			
					30 pF	5	6	6.5	7			
			DC to 50 MHz	2.5 V	15 pF	5.5	6	6	6.5			
					30 pF	7.5	8	8	9			
DC to 30 MHz	1.8 V	15 pF	7.5	8	8	8.5						
		30 pF	11	12	12	13						
t _{PLZ}	\overline{OE}	Y	DC to 50 MHz	5.0 V	15 pF	2	2.5	2	2.7	ns		
					30 pF	2	3	2	3.2			
			DC to 50 MHz	3.3 V	15 pF	2.3	2.8	2.5	3.2			
					30 pF	2.8	3.2	3.3	4			
			DC to 50 MHz	2.5 V	15 pF	3.3	3.8	3.8	4.2			
					30 pF	4	4.3	4.2	5			
DC to 30 MHz	1.8 V	15 pF	5	5.5	5	5.7						
		30 pF	6.5	7	7	8.5						
t _{sk}	Any In	Y	DC to 50 MHz	5.0 V to 2.5 V	15 pF			1	1	ns		
			DC to 30 MHz	1.8 V	15 pF							

SN74LV4T125

SCLS749B – FEBRUARY 2014 – REVISED SEPTEMBER 2014

www.ti.com

7.7 Noise Characteristics

$V_{CC} = 3.3\text{ V}$, $C_L = 50\text{ pF}$, $T_A = 25^\circ\text{C}^{(1)}$

PARAMETER		MIN	TYP	MAX	UNIT
$V_{OL(P)}$	Quiet output, maximum dynamic V_{OL}		0.4	0.8	V
$V_{OL(V)}$	Quiet output, minimum dynamic V_{OL}		-0.3	-0.8	V
$V_{OH(V)}$	Quiet output, minimum dynamic V_{OH}		3		V
$V_{IH(D)}$	High-level dynamic input voltage	2.31			V
$V_{IL(D)}$	Low-level dynamic input voltage			0.99	V

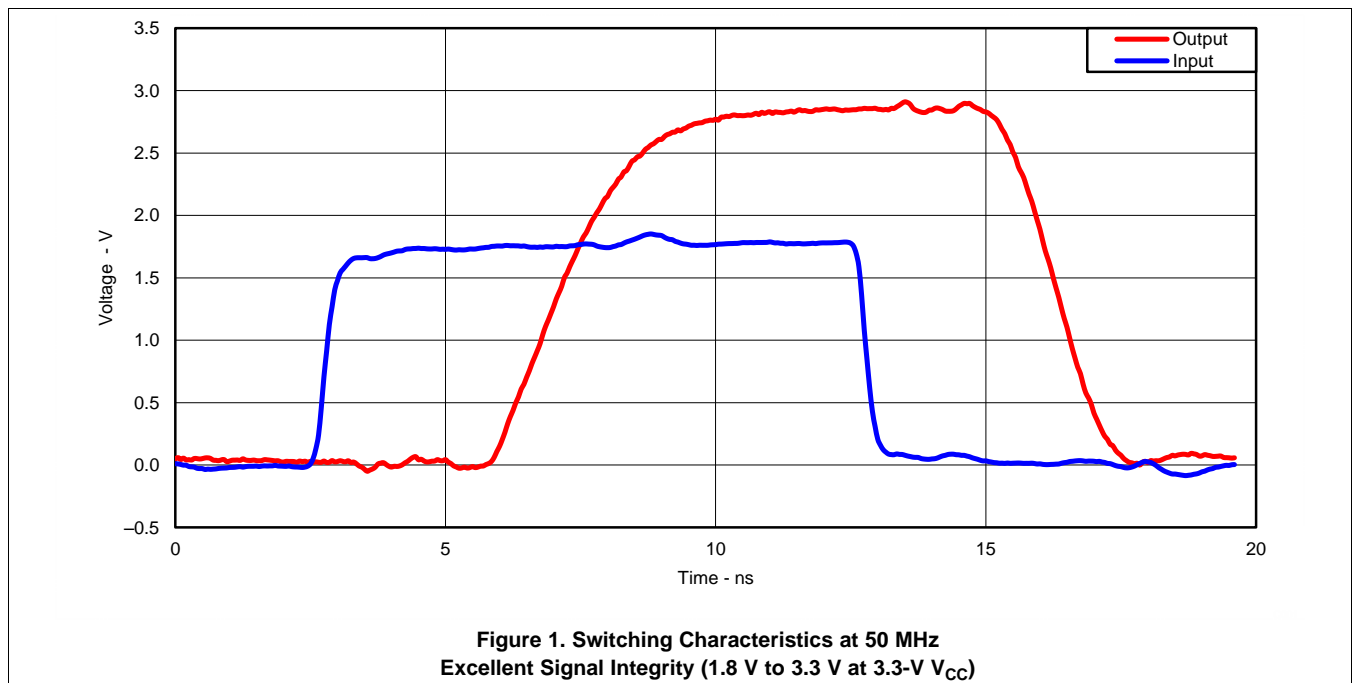
(1) Characteristics are for surface-mount packages only.

7.8 Operating Characteristics

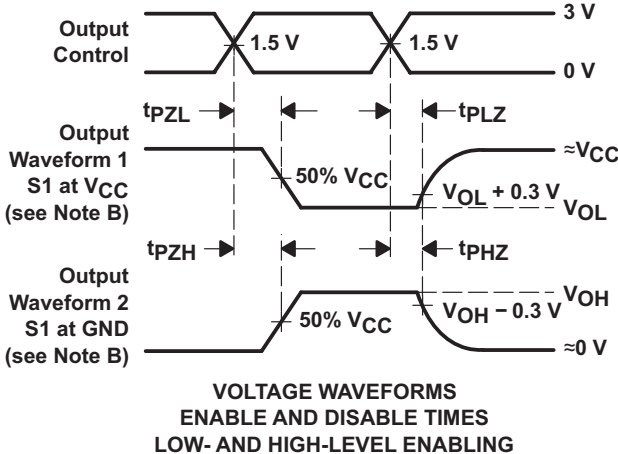
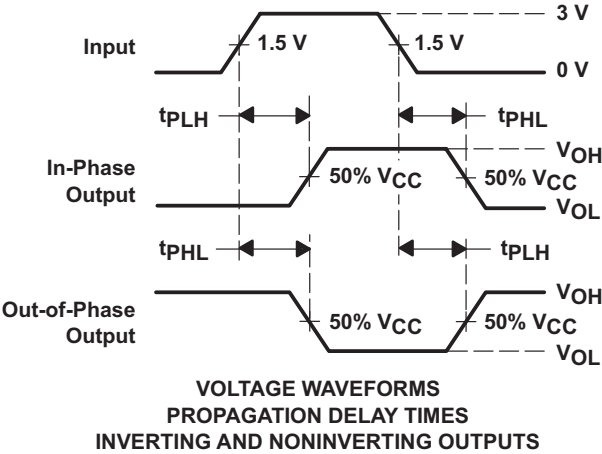
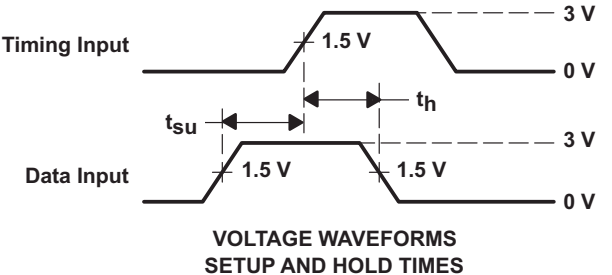
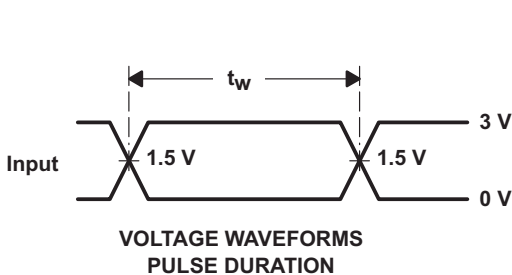
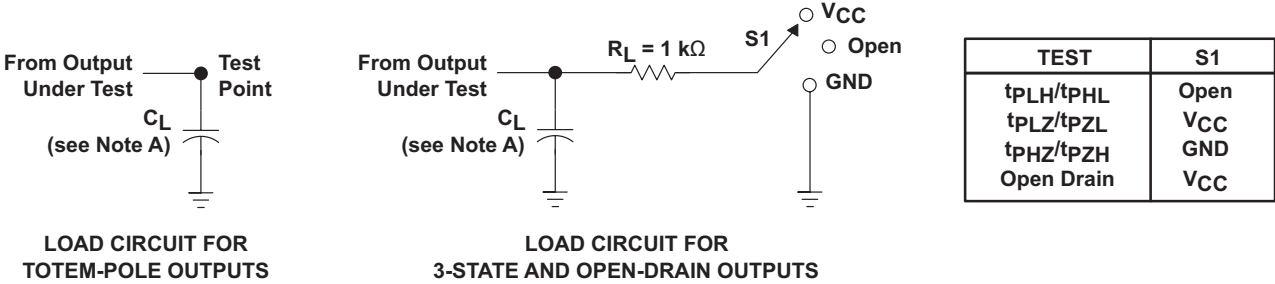
$V_{CC} = 5\text{ V}$, $T_A = 25^\circ\text{C}$

PARAMETER	TEST CONDITIONS	TYP	UNIT
C_{pd}	Power dissipation capacitance	16	pF

7.9 Typical Characteristics



8 Parameter Measurement Information



- NOTES: A. C_L includes probe and jig capacitance.
 B. Waveform 1 is for an output with internal conditions such that the output is low, except when disabled by the output control. Waveform 2 is for an output with internal conditions such that the output is high, except when disabled by the output control.
 C. All input pulses are supplied by generators having the following characteristics: $PRR \leq 1\text{ MHz}$, $Z_O = 50\ \Omega$, $t_r \leq 3\text{ ns}$, $t_f \leq 3\text{ ns}$.
 D. The outputs are measured one at a time, with one input transition per measurement.
 E. All parameters and waveforms are not applicable to all devices.

Figure 2. Load Circuit and Voltage Waveforms

9 Detailed Description

9.1 Overview

The SN74LVxTxx family was created to allow up- or down-voltage translation with only one power rail. The family has over-voltage tolerant inputs that allow down translation from up to 5.5 V to the V_{CC} level that can be as low as 1.8 V. The family SN74LVxTxx also has a lowered switching threshold that allows it to translate up to the V_{CC} level that can be as high as 5.5 V.

9.1.1 Translating Down

Using these parts to translate down is very simple. Because the inputs are tolerant to 5.5 V at any valid V_{CC} , they can be used to down translate. The input can be any level above V_{CC} up to 5.5 V and the output will equal the V_{CC} level, which can be as low as 1.8 V. One important advantage to down translating using this part is that the I_{CC} current will remain less than or equal to the specified value.

Down translation possibilities with SN74LVxTxx:

- With 1.8-V V_{CC} from 2.5 V, 3.3 V, or 5 V down to 1.8 V.
- With 2.5-V V_{CC} from 3.3 V or 5 V down to 2.5 V.
- With 3.3-V V_{CC} from 5 V down to 3.3 V.

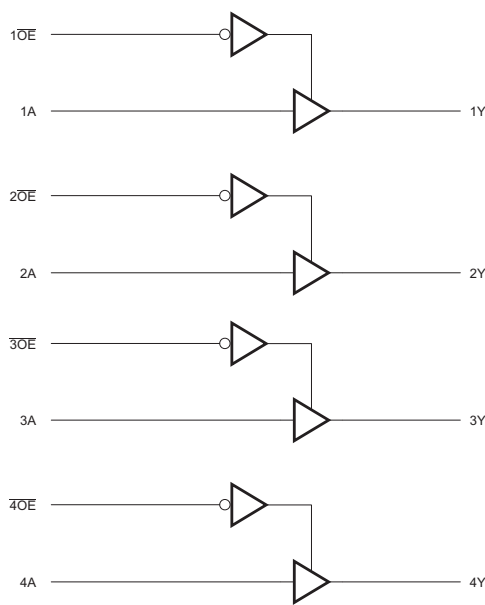
9.1.2 Translating Up

Using the SN74LVxTxx family to translate up is very simple. The input switching threshold is lowered so the high level of the input voltage can be much lower than a typical CMOS V_{IH} . For instance, If the V_{CC} is 3.3 V then the typical CMOS switching threshold would be $V_{CC} / 2$ or 1.65 V. This means the input high level must be at least $V_{CC} \times 0.7$ or 2.31 V. On the LVxT devices the input threshold for 3.3-V V_{CC} is approximately 1 V. This allows a signal with a 1.8-V V_{IH} to be translated up to the V_{CC} level of 3.3 V.

Up translation possibilities with SN74LVxTxx:

- With 2.5-V V_{CC} from 1.8 V to 2.5 V.
- With 3.3-V V_{CC} from 1.8 V or 2.5 V to 3.3 V.
- With 5-V V_{CC} From 2.5 V or 3.3 V to 5 V.

9.2 Functional Block Diagram



9.3 Feature Description

This part is a single supply buffer that is capable up or down translation. The output will equal V_{CC} while the input can vary from 1.2 V to 5.5 V.

Up Translation Mode:

- 1.2 V to 1.8 V at 1.8-V V_{CC}
- 1.5 V to 2.5 V at 2.5-V V_{CC}
- 1.8 V to 3.3 V at 3.3-V V_{CC}
- 3.3 V to 5.0 V at 5.0-V V_{CC}

Down Translation Mode:

- 3.3 V to 1.8 V at 1.8-V V_{CC}
- 3.3 V to 2.5 V at 2.5-V V_{CC}
- 5.0 V to 3.3 V at 3.3-V V_{CC}

9.4 Device Functional Modes

This device performs the function of a buffer where input logic level equals the output logic level, while providing buffering and drive to the output. The SN74LV4T125 device will also translate voltages up or down while performing this function.

**Table 1. Function Table
(Each Buffer)**

INPUTS		OUTPUT Y
\overline{OE}	A	
L	H	H
L	L	L
H	X	Z

Table 2. Supply $V_{CC} = 3.3$ V

INPUT b (Lower Level Input)		OUTPUT (V_{CC} CMOS)
A	B	Y
$V_{IH}(\text{min}) = 1.35$ V		$V_{OH}(\text{min}) = 2.9$ V
$V_{IL}(\text{max}) = 0.8$ V		$V_{OL}(\text{max}) = 0.2$ V

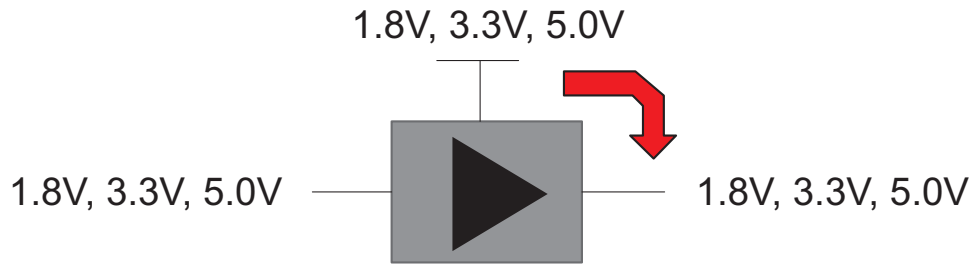
10 Applications and Implementation

NOTE

Information in the following applications sections is not part of the TI component specification, and TI does not warrant its accuracy or completeness. TI's customers are responsible for determining suitability of components for their purposes. Customers should validate and test their design implementation to confirm system functionality.

10.1 Application Information

Based upon the lower-threshold circuit design of the LVxT family, the LVxT family also supports level translation. For level translation up and down, the LVxT family requires only a single power supply.



Standard Logic Mode 1.8V, 3.3V

10.2 Typical Application

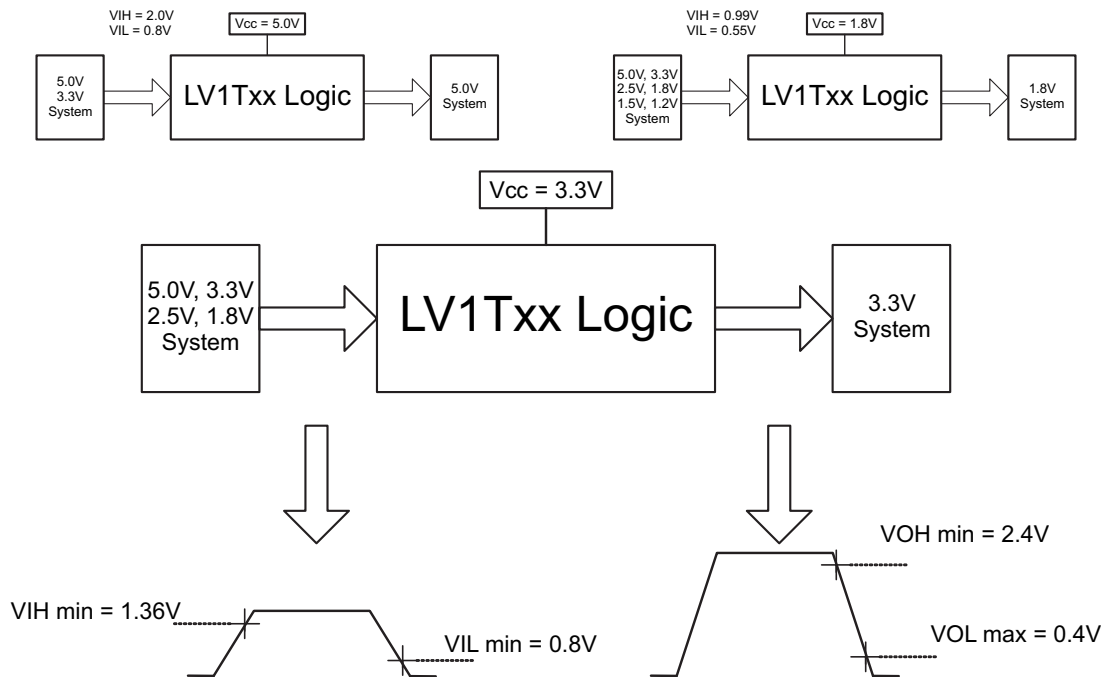


Figure 3. Switching Thresholds for 1.8 V to 3.3 V Translation

Typical Application (continued)

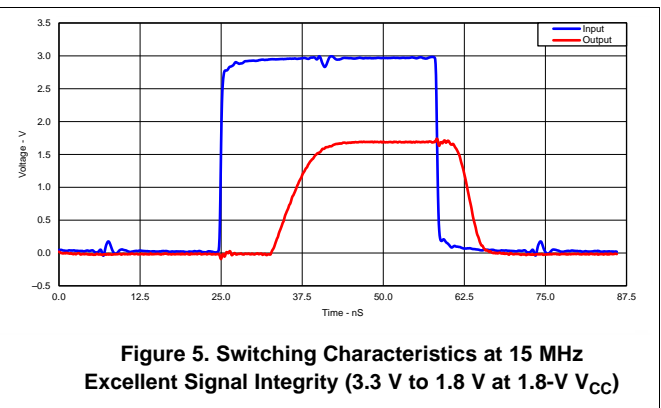
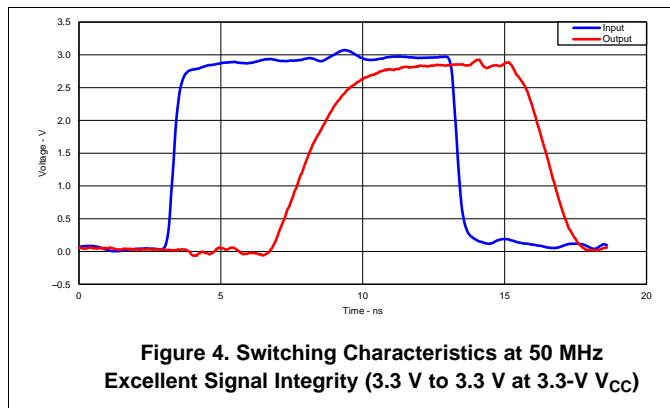
10.2.1 Design Requirements

This device uses CMOS technology and has balanced output drive. The input threshold levels are lowered to allow for up translation. At 5 V the device has equivalent TTL input levels.

10.2.2 Detailed Design Procedure

1. Recommended input conditions:
 - Rise time and fall time specifications. See $(\Delta t/\Delta V)$ in [Recommended Operating Conditions](#) table.
 - Specified high and low levels. See $(V_{IH}$ and $V_{IL})$ in [Recommended Operating Conditions](#) table.
 - Inputs are overvoltage tolerant allowing them to go as high as 5.5 V at any valid V_{CC} .
2. Recommend output conditions:
 - Load currents should not exceed 35 mA per output and 70 mA total for the part.
 - Outputs should not be pulled above V_{CC} .

10.2.3 Application Curves



11 Power Supply Recommendations

The power supply can be any voltage between the Min and Max supply voltage rating located in the [Recommended Operating Conditions](#).

Each V_{CC} pin should have a good bypass capacitor to prevent power disturbance. For devices with a single supply, 0.1 μF is recommended. If there are multiple V_{CC} pins, then 0.01 μF or 0.022 μF is recommended for each power pin. It is acceptable to parallel multiple bypass caps to reject different frequencies of noise. A 0.1 μF and 1 μF are commonly used in parallel. The bypass capacitor should be installed as close to the power pin as possible for best results.

12 Layout

12.1 Layout Guidelines

When using multiple bit logic devices inputs should not ever float.

In many cases, functions or parts of functions of digital logic devices are unused, for example, when only two inputs of a triple-input AND gate are used or only 3 of the 4 buffer gates are used. Such input pins should not be left unconnected because the undefined voltages at the outside connections result in undefined operational states. Specified in [Figure 6](#) are the rules that must be observed under all circumstances.

All unused inputs of digital logic devices must be connected to a high or low bias to prevent them from floating. The logic level that should be applied to any particular unused input depends on the function of the device. Generally they will be tied to GND or V_{CC} whichever make more sense or is more convenient.

It is generally acceptable to float outputs unless the part is a transceiver. If the transceiver has an output enable pin it will disable the outputs section of the part when asserted. This will not disable the input section of the IOs so they also cannot float when disabled.

12.2 Layout Example

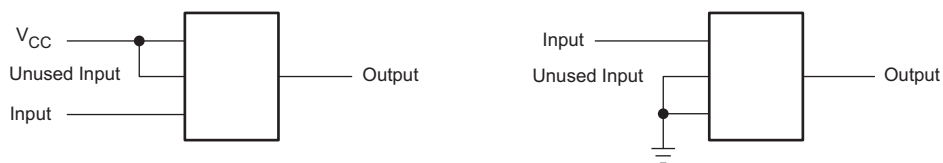


Figure 6. Layout Diagram

13 Device and Documentation Support

13.1 Documentation Support

13.1.1 Additional Product Selection

DEVICE	PACKAGE	DESCRIPTION
SN74LV1T00	DCK, DBV	2-Input Positive-NAND Gate
SN74LV1T02	DCK, DBV	2-Input Positive-NOR Gate
SN74LV1T04	DCK, DBV	Inverter Gate
SN74LV1T08	DCK, DBV	2-Input Positive-AND Gate
SN74LV1T34	DCK, DBV, DRL	Single Buffer Gate
SN74LV1T14	DCK, DBV	Single Schmitt-Trigger Inverter Gate
SN74LV1T32	DCK, DBV	2-Input Positive-OR Gate
SN74LV1T86	DCK, DBV	Single 2-Input Exclusive-Or Gate
SN74LV1T125	DCK, DBV, DRL	Single Buffer Gate with 3-state Output
SN74LV1T126	DCK, DBV, DRL	Single Buffer Gate with 3-state Output
SN74LV4T125	RGY, PW	Quadruple Bus Buffer Gate With 3-State Outputs

13.2 Trademarks

All trademarks are the property of their respective owners.

13.3 Electrostatic Discharge Caution



These devices have limited built-in ESD protection. The leads should be shorted together or the device placed in conductive foam during storage or handling to prevent electrostatic damage to the MOS gates.

13.4 Glossary

[SLYZ022](#) — *TI Glossary*.

This glossary lists and explains terms, acronyms, and definitions.

14 Mechanical, Packaging, and Orderable Information

The following pages include mechanical packaging and orderable information. This information is the most current data available for the designated devices. This data is subject to change without notice and revision of this document. For browser-based versions of this data sheet, refer to the left-hand navigation.

PACKAGING INFORMATION

Orderable Device	Status (1)	Package Type	Package Drawing	Pins	Package Qty	Eco Plan (2)	Lead/Ball Finish (6)	MSL Peak Temp (3)	Op Temp (°C)	Device Marking (4/5)	Samples
SN74LV4T125PWR	ACTIVE	TSSOP	PW	14	2000	Green (RoHS & no Sb/Br)	CU SN	Level-1-260C-UNLIM	-40 to 125	LV4T125	Samples
SN74LV4T125RGYR	ACTIVE	VQFN	RGY	14	3000	Green (RoHS & no Sb/Br)	CU NIPDAU	Level-2-260C-1 YEAR	-40 to 125	LVT125	Samples

(1) The marketing status values are defined as follows:

ACTIVE: Product device recommended for new designs.

LIFEBUY: TI has announced that the device will be discontinued, and a lifetime-buy period is in effect.

NRND: Not recommended for new designs. Device is in production to support existing customers, but TI does not recommend using this part in a new design.

PREVIEW: Device has been announced but is not in production. Samples may or may not be available.

OBSELETE: TI has discontinued the production of the device.

(2) Eco Plan - The planned eco-friendly classification: Pb-Free (RoHS), Pb-Free (RoHS Exempt), or Green (RoHS & no Sb/Br) - please check <http://www.ti.com/productcontent> for the latest availability information and additional product content details.

TBD: The Pb-Free/Green conversion plan has not been defined.

Pb-Free (RoHS): TI's terms "Lead-Free" or "Pb-Free" mean semiconductor products that are compatible with the current RoHS requirements for all 6 substances, including the requirement that lead not exceed 0.1% by weight in homogeneous materials. Where designed to be soldered at high temperatures, TI Pb-Free products are suitable for use in specified lead-free processes.

Pb-Free (RoHS Exempt): This component has a RoHS exemption for either 1) lead-based flip-chip solder bumps used between the die and package, or 2) lead-based die adhesive used between the die and leadframe. The component is otherwise considered Pb-Free (RoHS compatible) as defined above.

Green (RoHS & no Sb/Br): TI defines "Green" to mean Pb-Free (RoHS compatible), and free of Bromine (Br) and Antimony (Sb) based flame retardants (Br or Sb do not exceed 0.1% by weight in homogeneous material)

(3) MSL, Peak Temp. - The Moisture Sensitivity Level rating according to the JEDEC industry standard classifications, and peak solder temperature.

(4) There may be additional marking, which relates to the logo, the lot trace code information, or the environmental category on the device.

(5) Multiple Device Markings will be inside parentheses. Only one Device Marking contained in parentheses and separated by a "~" will appear on a device. If a line is indented then it is a continuation of the previous line and the two combined represent the entire Device Marking for that device.

(6) Lead/Ball Finish - Orderable Devices may have multiple material finish options. Finish options are separated by a vertical ruled line. Lead/Ball Finish values may wrap to two lines if the finish value exceeds the maximum column width.

Important Information and Disclaimer:The information provided on this page represents TI's knowledge and belief as of the date that it is provided. TI bases its knowledge and belief on information provided by third parties, and makes no representation or warranty as to the accuracy of such information. Efforts are underway to better integrate information from third parties. TI has taken and continues to take reasonable steps to provide representative and accurate information but may not have conducted destructive testing or chemical analysis on incoming materials and chemicals. TI and TI suppliers consider certain information to be proprietary, and thus CAS numbers and other limited information may not be available for release.

In no event shall TI's liability arising out of such information exceed the total purchase price of the TI part(s) at issue in this document sold by TI to Customer on an annual basis.

TAPE AND REEL INFORMATION



QUADRANT ASSIGNMENTS FOR PIN 1 ORIENTATION IN TAPE



*All dimensions are nominal

Device	Package Type	Package Drawing	Pins	SPQ	Reel Diameter (mm)	Reel Width W1 (mm)	A0 (mm)	B0 (mm)	K0 (mm)	P1 (mm)	W (mm)	Pin1 Quadrant
SN74LV4T125PWR	TSSOP	PW	14	2000	330.0	12.4	6.9	5.6	1.6	8.0	12.0	Q1
SN74LV4T125RGYR	VQFN	RGY	14	3000	330.0	12.4	3.75	3.75	1.15	8.0	12.0	Q1

TAPE AND REEL BOX DIMENSIONS


*All dimensions are nominal

Device	Package Type	Package Drawing	Pins	SPQ	Length (mm)	Width (mm)	Height (mm)
SN74LV4T125PWR	TSSOP	PW	14	2000	364.0	364.0	27.0
SN74LV4T125RGYR	VQFN	RGY	14	3000	367.0	367.0	35.0

PW (R-PDSO-G14)

PLASTIC SMALL OUTLINE



- NOTES:
- All linear dimensions are in millimeters.
 - This drawing is subject to change without notice.
 - Publication IPC-7351 is recommended for alternate designs.
 - Laser cutting apertures with trapezoidal walls and also rounding corners will offer better paste release. Customers should contact their board assembly site for stencil design recommendations. Refer to IPC-7525 for other stencil recommendations.
 - Customers should contact their board fabrication site for solder mask tolerances between and around signal pads.

RGY (S-PVQFN-N14)

PLASTIC QUAD FLATPACK NO-LEAD



- NOTES:
- A. All linear dimensions are in millimeters. Dimensioning and tolerancing per ASME Y14.5M-1994.
 - B. This drawing is subject to change without notice.
 - C. QFN (Quad Flatpack No-Lead) package configuration.
 - D. The package thermal pad must be soldered to the board for thermal and mechanical performance.
 - E. See the additional figure in the Product Data Sheet for details regarding the exposed thermal pad features and dimensions.
 - △ Pin 1 identifiers are located on both top and bottom of the package and within the zone indicated. The Pin 1 identifiers are either a molded, marked, or metal feature.
 - G. Package complies to JEDEC MO-241 variation BA.

RGY (S-PVQFN-N14)

PLASTIC QUAD FLATPACK NO-LEAD

THERMAL INFORMATION

This package incorporates an exposed thermal pad that is designed to be attached directly to an external heatsink. The thermal pad must be soldered directly to the printed circuit board (PCB). After soldering, the PCB can be used as a heatsink. In addition, through the use of thermal vias, the thermal pad can be attached directly to the appropriate copper plane shown in the electrical schematic for the device, or alternatively, can be attached to a special heatsink structure designed into the PCB. This design optimizes the heat transfer from the integrated circuit (IC).

For information on the Quad Flatpack No-Lead (QFN) package and its advantages, refer to Application Report, QFN/SON PCB Attachment, Texas Instruments Literature No. SLUA271. This document is available at www.ti.com.

The exposed thermal pad dimensions for this package are shown in the following illustration.



Bottom View

Exposed Thermal Pad Dimensions

4206353-2/P 03/14

NOTE: All linear dimensions are in millimeters

IMPORTANT NOTICE

Texas Instruments Incorporated and its subsidiaries (TI) reserve the right to make corrections, enhancements, improvements and other changes to its semiconductor products and services per JESD46, latest issue, and to discontinue any product or service per JESD48, latest issue. Buyers should obtain the latest relevant information before placing orders and should verify that such information is current and complete. All semiconductor products (also referred to herein as "components") are sold subject to TI's terms and conditions of sale supplied at the time of order acknowledgment.

TI warrants performance of its components to the specifications applicable at the time of sale, in accordance with the warranty in TI's terms and conditions of sale of semiconductor products. Testing and other quality control techniques are used to the extent TI deems necessary to support this warranty. Except where mandated by applicable law, testing of all parameters of each component is not necessarily performed.

TI assumes no liability for applications assistance or the design of Buyers' products. Buyers are responsible for their products and applications using TI components. To minimize the risks associated with Buyers' products and applications, Buyers should provide adequate design and operating safeguards.

TI does not warrant or represent that any license, either express or implied, is granted under any patent right, copyright, mask work right, or other intellectual property right relating to any combination, machine, or process in which TI components or services are used. Information published by TI regarding third-party products or services does not constitute a license to use such products or services or a warranty or endorsement thereof. Use of such information may require a license from a third party under the patents or other intellectual property of the third party, or a license from TI under the patents or other intellectual property of TI.

Reproduction of significant portions of TI information in TI data books or data sheets is permissible only if reproduction is without alteration and is accompanied by all associated warranties, conditions, limitations, and notices. TI is not responsible or liable for such altered documentation. Information of third parties may be subject to additional restrictions.

Resale of TI components or services with statements different from or beyond the parameters stated by TI for that component or service voids all express and any implied warranties for the associated TI component or service and is an unfair and deceptive business practice. TI is not responsible or liable for any such statements.

Buyer acknowledges and agrees that it is solely responsible for compliance with all legal, regulatory and safety-related requirements concerning its products, and any use of TI components in its applications, notwithstanding any applications-related information or support that may be provided by TI. Buyer represents and agrees that it has all the necessary expertise to create and implement safeguards which anticipate dangerous consequences of failures, monitor failures and their consequences, lessen the likelihood of failures that might cause harm and take appropriate remedial actions. Buyer will fully indemnify TI and its representatives against any damages arising out of the use of any TI components in safety-critical applications.

In some cases, TI components may be promoted specifically to facilitate safety-related applications. With such components, TI's goal is to help enable customers to design and create their own end-product solutions that meet applicable functional safety standards and requirements. Nonetheless, such components are subject to these terms.

No TI components are authorized for use in FDA Class III (or similar life-critical medical equipment) unless authorized officers of the parties have executed a special agreement specifically governing such use.

Only those TI components which TI has specifically designated as military grade or "enhanced plastic" are designed and intended for use in military/aerospace applications or environments. Buyer acknowledges and agrees that any military or aerospace use of TI components which have **not** been so designated is solely at the Buyer's risk, and that Buyer is solely responsible for compliance with all legal and regulatory requirements in connection with such use.

TI has specifically designated certain components as meeting ISO/TS16949 requirements, mainly for automotive use. In any case of use of non-designated products, TI will not be responsible for any failure to meet ISO/TS16949.

Products

Audio	www.ti.com/audio
Amplifiers	amplifier.ti.com
Data Converters	dataconverter.ti.com
DLP® Products	www.dlp.com
DSP	dsp.ti.com
Clocks and Timers	www.ti.com/clocks
Interface	interface.ti.com
Logic	logic.ti.com
Power Mgmt	power.ti.com
Microcontrollers	microcontroller.ti.com
RFID	www.ti-rfid.com
OMAP Applications Processors	www.ti.com/omap
Wireless Connectivity	www.ti.com/wirelessconnectivity

Applications

Automotive and Transportation	www.ti.com/automotive
Communications and Telecom	www.ti.com/communications
Computers and Peripherals	www.ti.com/computers
Consumer Electronics	www.ti.com/consumer-apps
Energy and Lighting	www.ti.com/energy
Industrial	www.ti.com/industrial
Medical	www.ti.com/medical
Security	www.ti.com/security
Space, Avionics and Defense	www.ti.com/space-avionics-defense
Video and Imaging	www.ti.com/video

TI E2E Community

e2e.ti.com